

# FLATBED BRUSH TRUCK



## NEW BADEN FIRE PROTECTION DISTRICT NEW BADEN, ILLINOIS

### TECHNICAL SPECS

- Ford F-550XL 4-Door 4x4 DRW Chassis
- Powerstroke 6.7L V8, 300-HP Diesel Engine
- Torqshift 6-speed Automatic Transmission
- Heavy Duty 3/16" Aluminum Body
- Two (2) compartments, one (1) each side with two (2) doors
- One (1) Hose tray, left side compartment top
- One (1) set of Rhino Dominator stainless steel bars with steps, under cab doors
- Warn stainless steel brush guard with wrap around and front receiver
- One (1) Reese type trailer hitch/winch receiver, rear
- One (1) Warn 9000-lb multi winch
- 400-gallon Poly skid Tank with 12-Gallon foam tank
- Waterous PB18-3030LE Pump with 20-HP Honda gasoline engine
- One (1) 2 1/2" Discharge, rear
- One (1) 1 1/2" Discharge, hose tray
- Two (2) 1" booster lines with 10-ft of hose each, walkway
- Scotty Around the Pump foam inductor/mixer
- One (1) Hannay electric Booster Reel with 150-ft of 1" hose
- One (1) Akron front bumper turret controlled from the cab
- Two (2) walk-away Air pack brackets, cab rear area
- Two (2) Pike pole storage tubes, left side tray
- Progressive Dynamics on-board battery charger
- Kusmaul Super Auto Eject 120-volt shoreline
- Floor mounted console for emergency switches with map/binder storage, cab
- Two (2) Extenda-Lite 12-volt 220 watt telescopic lights, one (1) each side
- Three (3) Federal GHSCENE lights, two (2) rear and one (1) pump area
- Code 3 Electronic Siren with 100-watt Whelen speaker
- Whelen LED Arrow stick, rear
- Weldon LED Warning Light Package
- Chevron pattern striping, rear
- 8' 9" Overall height
- 22' 11" Overall length
- 176" Wheelbase
- 60" Cab to Axle
- 7,000 FAWR
- 14,700 RAWR
- 19,500 GVWR

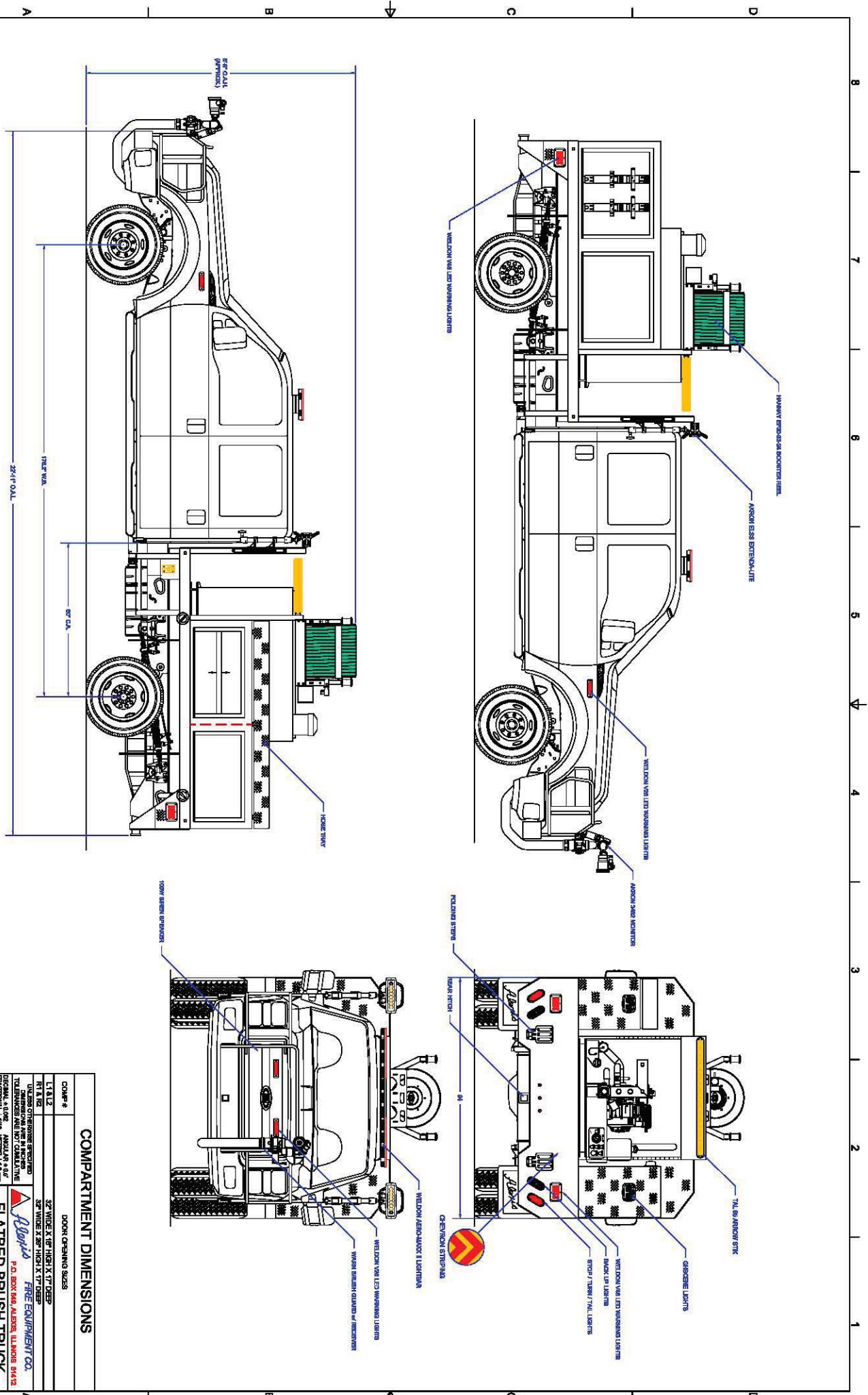


To view more photos,  
visit [www.AlexisFire.com](http://www.AlexisFire.com)

WE WOULD LIKE TO THANK  
THE NEW BADEN FIRE PROTECTION  
DISTRICT FOR THEIR BUSINESS.



Demand To Be Different.



CUSTOMER APPROVAL SIGNATURE: _____ DATE: _____		NEWBADE-0001	
IN THE EVENT THERE ARE DISCREPANCIES BETWEEN THE DRAWING AND THE SPECIFICATIONS, THE SPECIFICATIONS SHALL PREVAIL.		Pump Make: _____	
		Pump Model: _____	
		Pump Capacity: _____	
		Material: _____	

COMPARTMENT DIMENSIONS	
COOR #	DOOR OPENING SIZES
L1 & L2	32" WIDE X 17" HIGH X 17" DEEP
R1 & R2	32" WIDE X 26" HIGH X 17" DEEP
TOLERANCES UNLESS OTHERWISE SPECIFIED:	
DIMENSIONS ARE NOT CUMULATIVE	
DESIGN & LOGO	ASSEMBLY & LOGO
PROTECTIVE FILM	PROTECTIVE FILM
PREPARED BY: _____	DATE: _____
NEW BADEN FIRE PROTECTION DIST.	NEW BADEN, ILLINOIS
SK-B92	SHEET 1 OF 2